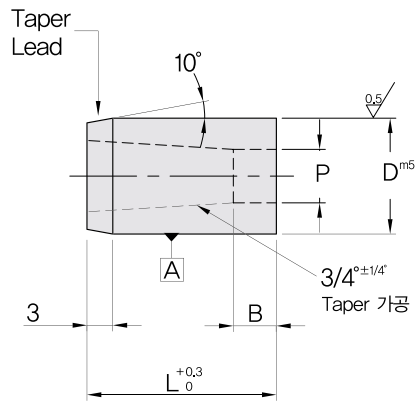


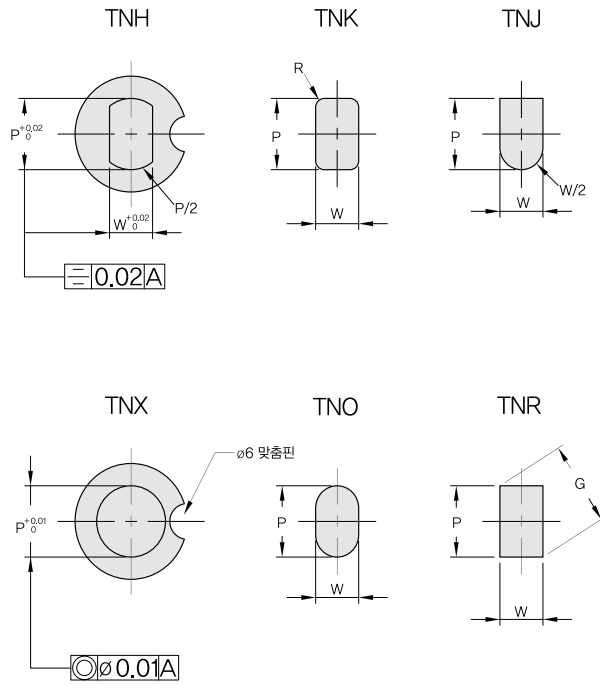


BUTTON DIE- TN_ TAPERED RELIEF

TYPE TN_



TN형은 ø6 맞춤핀을 사용한다.



- * $P \geq W$
- * R = 지정가능 (Specifiable)
- * $G = \sqrt{P^2 + W^2}$



BUTTON DIE- TN_ TAPERED RELIEF

호칭 D	Std. S	L1 Alt. A	Alt. B	Type&D	원형 P	Type&D	이형 min. - max. W P/G	L												
								13	16	20	22	25	28	30	32	35	40			
10	4	5	3	TNX10	1.60-6.80	TN_10	1.30-6.80	●	●	●	●	●	●	●	●	●	●	●	●	●
13	5	8	3	TNX13	3.00-8.80	TN_13	1.90-8.80	●	●	●	●	●	●	●	●	●	●	●	●	●
16	5	8	3	TNX16	7.40-10.80	TN_16	1.90-10.80			●	●	●	●	●	●	●	●	●	●	●
20	5	10	3	TNX20	9.50-13.60	TN_20	1.90-13.60			●	●	●	●	●	●	●	●	●	●	●
22	6	10	3	TNX22	10.50-15.00	TN_22	1.90-15.00			●	●	●	●	●	●	●	●	●	●	●
25	6	10	3	TNX25	12.00-17.00	TN_25	1.90-17.00			●	●	●	●	●	●	●	●	●	●	●
32	6	12	3	TNX32	16.00-22.00	TN_32	1.90-22.00			●	●	●	●	●	●	●	●	●	●	●
38	8	12	3	TNX38	18.00-27.00	TN_38	1.90-27.00			●	●	●	●	●	●	●	●	●	●	●
40	8	12	3	TNX40	18.00-27.00	TN_40	1.90-27.00		●	●	●	●	●	●	●	●	●	●	●	●
45	8	12	3	TNX45	18.00-35.00	TN_45	2.40-35.00				●	●	●	●	●	●	●	●	●	●
50	8	12	3	TNX50	18.00-40.00	TN_50	4.00-40.00				●	●	●	●	●	●	●	●	●	●
56	8	12	3	TNX56	18.00-45.00	TN_56	4.00-45.00				●	●	●	●	●	●	●	●	●	●
63	8	12	3	TNX63	18.00-50.00	TN_63	4.00-50.00				●	●	●	●	●	●	●	●	●	●
71	8	12	3	TNX71	18.00-56.00	TN_71	4.00-56.00				●	●	●	●	●	●	●	●	●	●
76	8	12	3	TNX76	25.00-60.00	TN_76	5.60-60.00					●	●	●	●	●	●	●	●	●
85	8	12	3	TNX85	25.00-66.00	TN_85	5.60-66.00					●	●	●	●	●	●	●	●	●
90	8	12	3	TNX90	32.00-70.00	TN_90	5.60-70.00					●	●	●	●	●	●	●	●	●
100	8	12	3	TNX100	32.00-78.00	TN_100	5.60-78.00					●	●	●	●	●	●	●	●	●

규격표기 방법 Catalog No. D - Std. Alt. - L - P,W

 TNX 13 - S - 28 - P5.3

 TNO 25 - A - 32 - P8.7, W5.0