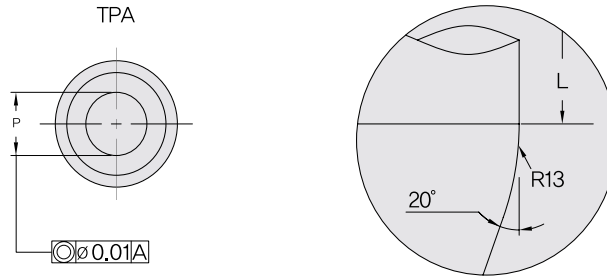


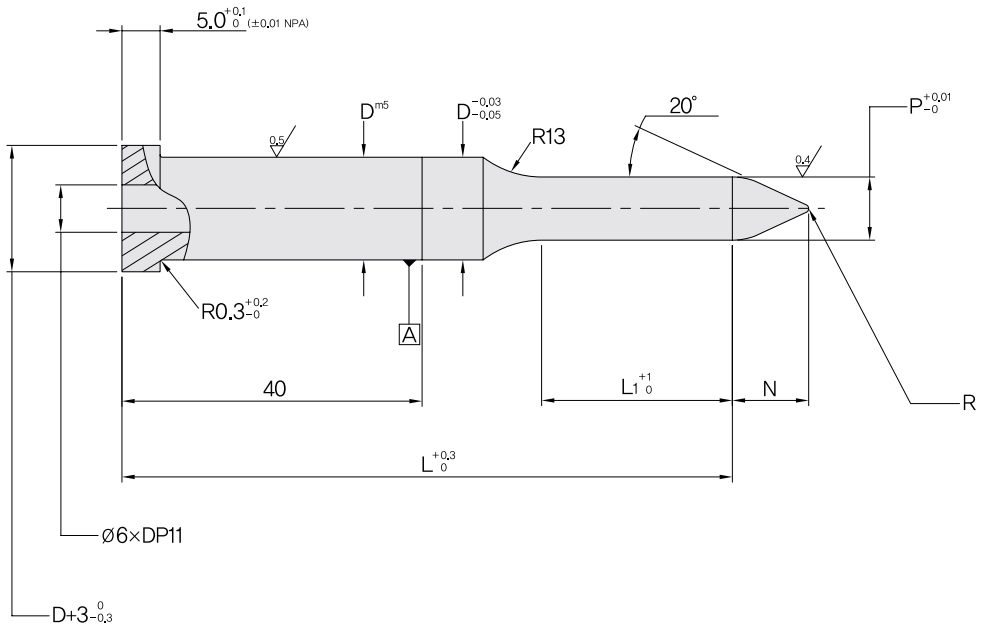


# PUNCH - TPA • NPA PRESS FIT POSITIVE PICK-UP PIL OTS

## TYPE TPA (표준형)



## TYPE NPA (위치 결정형)





# PUNCH – TPA • NPA PRESS FIT POSITIVE PICK-UP PIL OTS

호칭경 D	L1		Type&D	원형 P	Nose Lgth. N	L								
	Std.	Alt.	TPA/NPA			65	72	73	82	92	102	112	127	142
10	21	27	TPA/NPA10	4.85-10.00	8	●	●	●	●	●	●	●		
13	21	27	TPA/NPA13	6.30-13.00	10	●	●	●	●	●	●	●	●	
16	21	27	TPA/NPA16	9.95-16.00	15		●	●	●	●	●	●	●	●
20	21	27	TPA/NPA20	13.60-20.00	20		●	●	●	●	●	●	●	●
25	21	27	TPA/NPA25	17.25-25.00	25		●	●	●	●	●	●	●	●
32	27	32	TPA/NPA27	20.85-32.00	30			●	●	●	●	●	●	●

Threaded dowel 6mm ×25

규격표기 방법      Catalog No.   D - L1 - L - P  
TPA    13 - 27 - 114 - 12.9