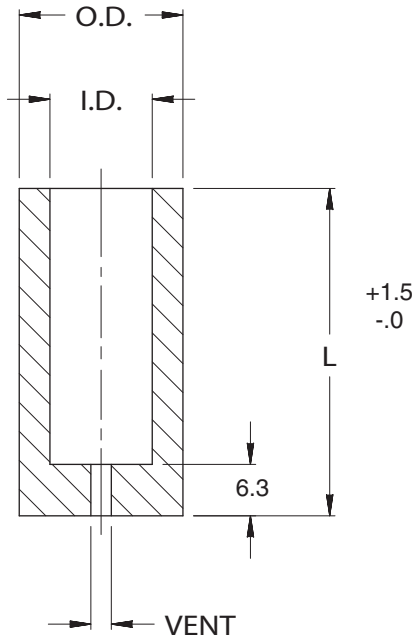


URETHANE STRIPPERS

CLOSED END



CATALOG NUMBER	I.D.	O.D.	LENGTH L	APPROXIMATE PRESSURE AVAILABLE AT DEFLECTION OF		
				3.0	6.5	9.5
MTC 06-45	06	19	45	1324	2256	—
MTC 06-53			53	1079	1863	—
MTC 06-71			71	686	1079	1765
MTC 08-45	08	21	45	1471	2207	—
MTC 08-53			53	1324	1961	2942
MTC 08-71			71	981	1618	2648
MTC 10-45	10	23	45	1716	2795	—
MTC 10-53			53	1422	2452	3187
MTC 10-56			56	1422	2452	3187
MTC 10-71			71	1128	2010	2697
MTC 13-45	13	26	45	2109	3334	—
MTC 13-53			53	1471	2354	3432
MTC 13-56			56	1471	2354	2942
MTC 13-71	71	1275	1961	2452		
MTC 16-45	16	30	45	2354	3825	—
MTC 16-53			53	2158	3531	4511
MTC 16-56			56	2158	3431	4511
MTC 16-71			71	1814	2942	3825
MTC 20-45	20	38	45	2452	3923	—
MTC 20-53			53	2158	3629	5590
MTC 20-71			71	1618	2942	4658
MTC 25-45	25	50	45	9317	14318	—
MTC 25-53			53	7355	11572	15985
MTC 25-71			71	4904	8336	13485

VENT	I.D.'s
1.6	06-10
3.2	13.25

CLOSED END urethane strippers are shaped to suit the punch point by closing the die – without the material – the point and the die cavity provide the shearing action to shape the closed end.

POWERHANE provides an excellent balance of load bearing and memory rate, with a tensile strength of 30,250 newtons., deflections greater than 25% are not recommended; for optimum life in high speed continuous operations, a 15% deflection is suggested.

Durometer hardness 95 Shore A.